



# USB Extender User Manual



## Summary

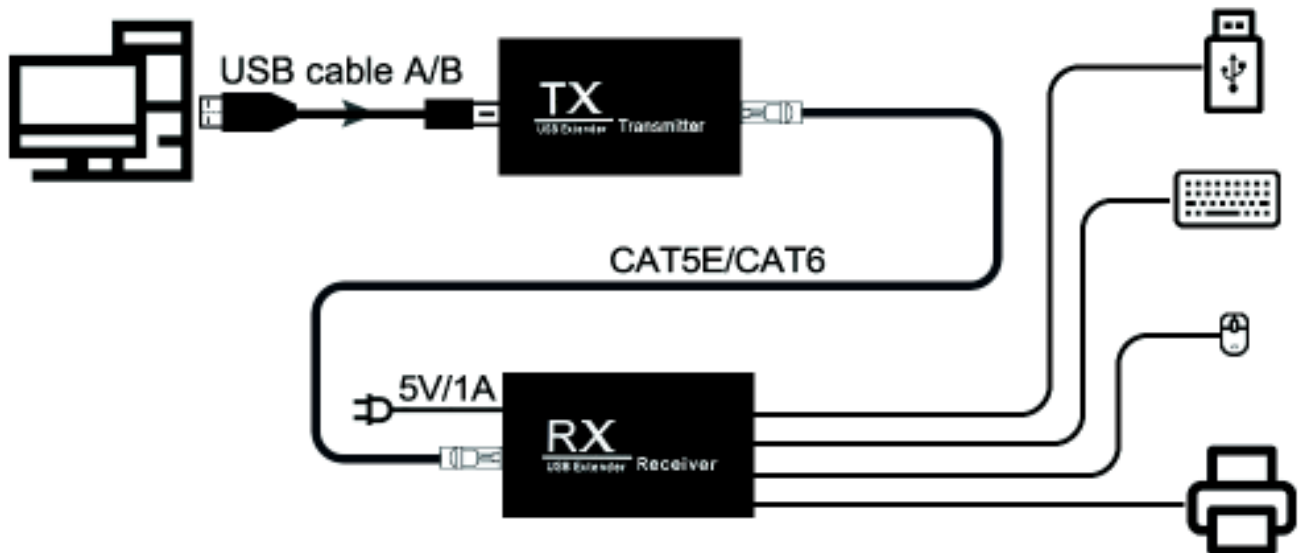
This Item is made by two single unit, Sender and Receiver. transmission by CAT5E/CAT6 UTP cable (same line orders with ethernet). No need extra install software. The max distance between Sender and Receiver can reach 120 meters when using CAT6 UTP cable. It is a ideal product in extend keyboard, mouse, writing pad and game controller, etc.USB devices.



## Features

- ★ One CAT5E/6 cable can instead of USB cable to transmit long distance.
- ★ Using CAT6 cable can make the the low-speed devices transmit keyboard,mouse etc. device extend up to 120 meters.
- ★ Compliant with USB 2.0 USB 1.1.
- ★ Supports major operating systems: Windows, Mac OS X,Linux etc.
- ★ Plug and Play, no driver installation needed.
- ★ Support swap function, plug and play.
- ★ Simple installation.

## System connection diagram

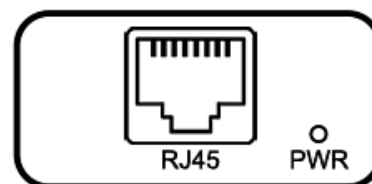
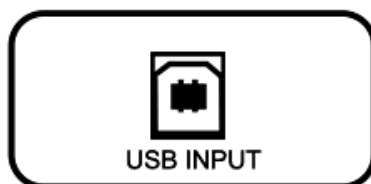


## Specifications

USB input interface .....	1xUSB-A/B
USB output interface.....	4xUSB-A/F
Compatible USB version.....	USB1.1 and USB2.0
Wiring method.....	IEEE-568B
Maximum working current.....	<120m CAT6 standard cable
Input cable distance.....	≤5m USB standard cable
Output cable distance.....	≤5m USB standard cable
Power Adapter SpecificationS.....	AC(50/60HZ) :100V-240V,DC Output:5V/1A
Operating temperature range.....	0~40°
Operating humidity range.....	5~85% RH(non-condensing)
Sender Dimension(LXWXH).....	79×64×23mm
Sender Weight.....	90g
Receiver Dimension(LXWXH).....	79×64×23mm
Receiver Weight.....	99g

## Physical interface diagram

### Transmitter:



### Receiver:

